

Tubular cable shields

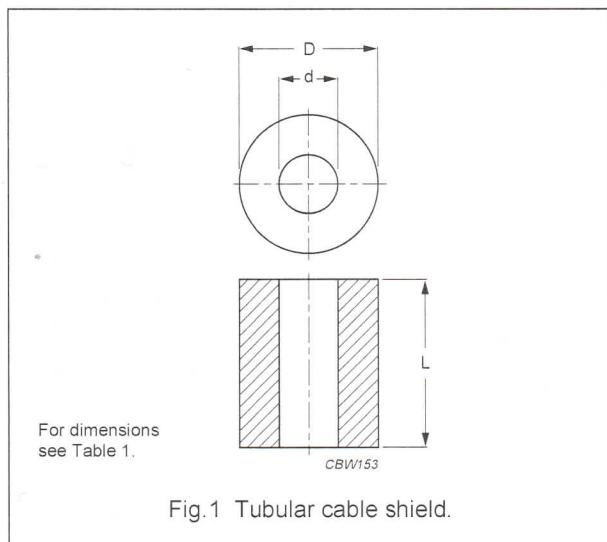


Table 1 Type numbers, dimensions and parameters; see Fig.1

TYPE NUMBER	DIMENSIONS			Z _{typ} ⁽¹⁾ (Ω) at	
	D	d	L	25 MHz	100 MHz
CST7.8/5.3/9.8-3S4 <small>des</small>	7.8 ±0.2	5.3 +0.3	9.8 ±0.2	33	50
CST8/5.3/10-3S4 <small>des</small>	8 -0.4	5.3 +0.3	10 -0.4	36 ⁽²⁾	50
CST8.3/3.5/10-3S4 <small>des</small>	8.3 -0.4	3.5 +0.3	10 -0.6	70	96
CST9.5/4.8/4.8-4S2 <small>des</small>	9.5 ±0.25	4.75 ±0.25	4.8 ±0.2	18	35
CST9.5/4.8/6.4-4S2 <small>des</small>	9.5 ±0.25	4.75 ±0.25	6.35 ±0.35	23	50
CST9.5/4.8/9.5-4S2 <small>des</small>	9.5 ±0.25	4.75 ±0.15	9.5 ±0.3	40	70
CST9.5/4.8/10-4S2 <small>des</small>	9.5 ±0.25	4.75 ±0.15	10.4 ±0.25	53	80
CST9.5/4.8/13-4S2 <small>des</small>	9.5 ±0.25	4.75 ±0.15	12.7 ±0.5	60	95
CST9.5/4.8/19-4S2 <small>des</small>	9.5 ±0.25	4.75 ±0.15	19.05 ±0.7	100	145
CST9.5/5.1/15-3S4 <small>des</small>	9.5 ±0.3	5.1 ±0.15	14.5 ±0.45	66	110
CST9.5/5.1/15-4S2 <small>des</small>	9.5 ±0.3	5.1 ±0.15	14.5 ±0.45	66	110
CST9.7/5/5.1-4S2 <small>des</small>	9.65 ±0.25	5 ±0.2	5.05 -0.45	26	43
CST14/6.4/5.3-4S2 <small>des</small>	14.3 ±0.45	6.35 ±0.25	5.3 -0.45	35	60
CST14/6.4/10-4S2 <small>des</small>	14.3 ±0.45	6.35 ±0.25	10.1 ±0.4	70	105
CST14/6.4/14-4S2 <small>des</small>	14.3 ±0.45	6.35 ±0.25	13.8 ±0.4	90	150
CST14/6.4/15-4S2 <small>des</small>	14.3 ±0.45	6.35 ±0.25	15 ±0.45	100	170
CST14/6.4/29-4S2 <small>des</small>	14.3 ±0.45	6.35 ±0.25	28.6 ±0.75	170	250
CST14/7.3/29-4S2 <small>des</small>	14.3 ±0.45	7.25 ±0.15	28.6 ±0.75	143	215
CST16/7.9/14-4S2 <small>des</small>	16.25 -0.75	7.9 ±0.25	14.3 ±0.35	70	113
CST16/7.9/29-4S2 <small>des</small>	16.25 -0.75	7.9 ±0.25	28.6 ±0.75	130	213
CST17/9.5/13-3S4 <small>des</small>	17.45 ±0.35	9.53 ±0.25	12.7 ±0.5	55	90
CST17/9.5/13-4S2 <small>des</small>	17.45 ±0.4	9.5 ±0.25	12.7 ±0.5	55	88
CST17/9.5/29-3S4 <small>des</small>	17.45 ±0.35	9.53 ±0.25	28.55 ±0.75	125	200
CST17/9.5/29-4S2 <small>des</small>	17.45 ±0.35	9.53 ±0.25	28.55 ±0.75	125	250
CST17/11/60-3S4 <small>des</small>	17.2 -1.2	11 ±0.5	60 -2.5	200	320
CST19/10/15-4S2 <small>des</small>	19 -0.65	10.15 ±0.25	14.65 -0.75	70	110
CST19/10/29-4S2 <small>des</small>	19 -0.65	10.15 ±0.25	28.6 ±0.75	128	196
CST19/11/12-3S4 <small>des</small>	19 ±0.4	10.6 ±0.3	11.5 ±0.4	50	75
CST26/13/21-4S2 <small>des</small>	25.9 ±0.75	12.8 ±0.25	21.3 ±0.5	110	180
CST26/13/29-4S2 <small>des</small>	25.9 ±0.75	12.8 ±0.25	28.6 ±0.8	145	225
CST29/19/7.5-4S2 <small>des</small>	29 ±0.75	19 ±0.5	7.5 ±0.25	28	47